

**RAIDON**

***InTANK***  
***iR2774-S3***

*User Manual*

» InTANK iR2774-S3 User Manual.....	1
1. Environmental Requirements .....	1
2. Product Appearance and Packaging Content .....	1
3. Hardware Requirements and Precautions .....	2
4. RAID Mode Setting.....	3
5. Hardware Installation Procedure .....	3
6. Computer Set Up.....	5
» InTANK iR2774-S3 產品使用說明 .....	6
1. 環境需求 .....	6
2. 產品外觀及包裝內容 .....	6
3. 硬體需求與注意事項 .....	7
4. 設定 RAID 層級.....	8
5. 硬體安裝 .....	8
6. 電腦設定 .....	10

## Introduction

Thank you for purchasing RAIDON products. This manual will introduce the InTANK iR2774-S3 Series. Before using your InTANK iR2774-S3, please read this manual thoroughly. Although all information contained in this user manual has been carefully verified before publishing, however, the actual product specification will be based on the time of delivery from RAIDON. Any updates to the product specifications or relevant information may be found on [www.raidon.com.tw](http://www.raidon.com.tw). Products are subject to change without prior notifications.

If you have any questions regarding the products of RAIDON, or you would like to know the latest product information, user manual update, or firmware update, please contact your local supplier or visit [www.raidon.com.tw](http://www.raidon.com.tw) for further information.

Copyright © RAIDON TECHNOLOGY, INC. All rights reserved.

## 1. Environmental Requirements

Operating Temperature : 0 ~ 40 °C (32 ~ 104 °F)

Storage Temperature : -20 ~ 47 °C (-4 ~ 116 °F)

Line Voltage : 5V DC

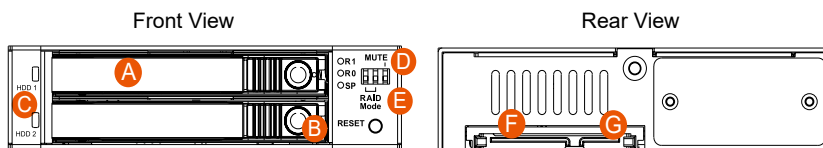
## 2. Product Appearance and Packaging Content

Open the package and you should find the following:

iR2774-S3
iR2774-S3 Device x 1 ( with removable drive tray enclosed x 2)
Quick Installation Guide x 1
Screws and key

- Please check the product and accessories for any defect or missing parts. If you have any questions, please contact your product supplier.
- Please visit the official website ([www.raidon.com.tw](http://www.raidon.com.tw)) to download drivers and other related resources.

### Product View



A. HDD/SDD Tray & Tray Handle

B. Tray key lock & Push Open Button

C. HDD/SDD Access LED

D. Mute Switch

E. RAID Switch

F. 15 PIN Power Connector

G. SATA Port

## LED Indicators :

Status	HDD Status Light		Buzzer
	RAID 0/JBOD/SPAN	RAID 1	
No HDD / HDD Fail	Red light always on	Red light always on	ON
HDD idle	Blue light always on	Blue light always on	OFF
Data access	Blue light flashing	Blue light flashing	OFF
Rebuilding- Source	N/A	Blue light flashing	OFF
Rebuilding- Target	N/A	Blue and Purple light flashing	OFF

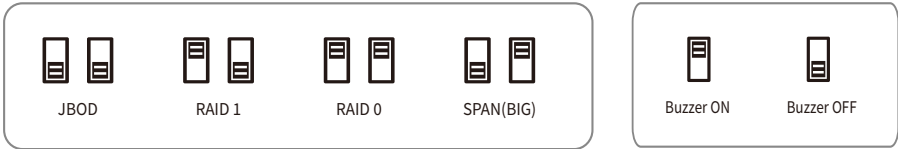
### 3. Hardware Requirements and Precautions

1. Computers or servers with SATA I & SATA II & SATA III.
2. Hard drive with SATA I & SATA II & SATA III
3. You are strongly advised to set the storage mode (the default is JBOD) before using the iR2774-S3.
4. The product allows the user to simultaneously utilize two hard drives manufactured by different companies. However, if the user expects better efficiency, we strongly recommend the users to use hard drives manufactured by the same manufacturer.
5. Please make sure that the two hard drives are free from bad blocks or defects prior to installation in order to avoid system crashes or data loss.
6. The actual storage capacity of iR2774-S3 recognized by the system may differ from the total capacity stated on the hard drives combined once the drives have been formatted.
7. It is highly recommended for users to back up important data contained within their iR2774-S3 unit on a regular basis or whenever the user feels necessary to a remote or a separate storage device. RAIDON will not be responsible for any lost of data caused during the use of the unit or the recovery of the data lost.
8. In order to maintain optimal data security, employing hard drives equipped with Shingled Magnetic Recording (SMR) technology for Redundant Array of Independent Disks (RAID) configurations is not recommended.
9. For initial setup, it is advisable to utilize two fresh hard drives that are identical in brand and model. In the event that a hard drive is not brand new and is not detected during the iR2774-S3 boot process, please connect the hard drive to the computer individually. Proceed to clear its sectors through the operating system and reformat it (for specific steps, consult the operating system's instructions) before reintroducing it into the iR2774-S3 for use.

**Note :**

Once the drive mode configuration has been completed, re-configuration using the same hard drives to set the drive mode will result in complete data loss. If you must change the drive mode, make sure to backup all data prior to the mode change.

## 4. RAID Mode Setting



- RAID 0** : Provide a big storage capacity and the data transfer efficiency, but no data protection feature.
- RAID 1** : Because of this Mirroring feature, your two HDDs/SSDs will keep an identical data after your writing works. In case one of the two HDDs/SSDs is defect, iR2774 would still work fine with only one of them. And once inserting a good HDD/SSD as the defect replacement, it will do the rebuilding work by itself.
- BIG** : You could enjoy a double memory capacity from this BIG feature, but no data protection feature.
- JBOD** : With JBOD mode, you could actually use the two HDDs/SSDs as the normal two storages for your large memory capacity requirement, but no data protection feature.

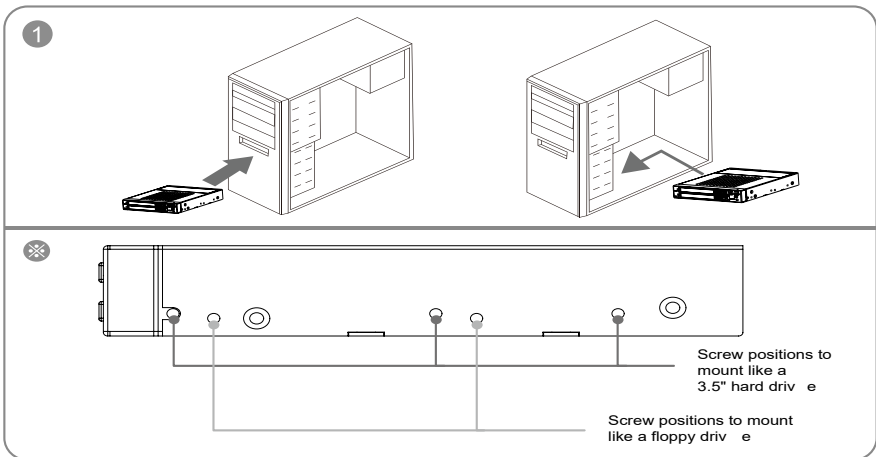
**Note:**

When you want to switch RAID MODE, you need to switch to JBOD before you can switch RAID MODE.  
 Switching RAID MODE: The power needs to be turned off, then press the RESET button with a thimble, and then turn on the power. When you press it for about five seconds, you will hear a Buzzer beep and the HDD LED flashes to complete the setting, and you can release the thimble.

## 5. Hardware Installation Procedure

Please install iR2774-S3 as the following instruction.

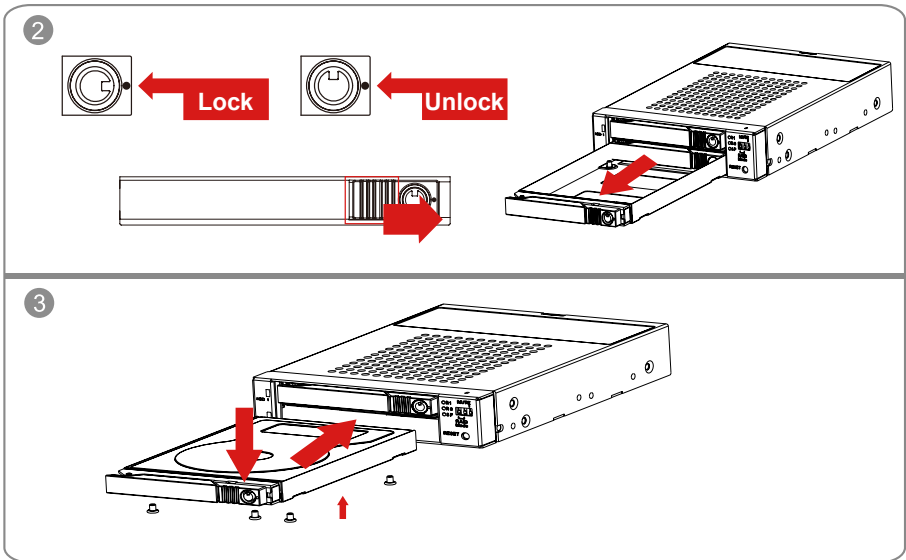
- Step 1** Install the product unit into the computer chassis and make the necessary connections and mount the product unit properly and securely to the bay position desired.



- Step 2 After unlocking the HDD tray key lock with the key attached to the accessory, push the HDD tray ejection to the right and the removable drive tray will pop open to remove the removable tray.
- Step 3 For 2.5" HDD/SSD, please secure it by use four the smaller screws included in the accessory kit. and re-insert the removable tray when completed.
- Step 4 When hardware installation is completed, you can turn on the power of the main unit to proceed with relevant settings and applications.
- Step 5 Installation completed. Your operating system should automatically detect the hard drives within. Please proceed to format the drives. Once formatting is completed, you may then start to operate the device.

※ Note :

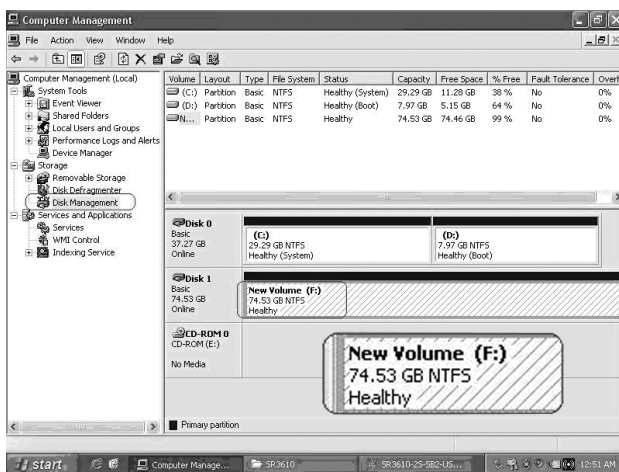
1. We do not recommend users to disassemble the device without proper instructions and authorization. The manufacture warranty will not cover the damages caused by unauthorized disassembling.
2. To prevent the device from malfunction, please make sure the device is connected with a direct and dedicated power connection of a stable power input.



## 6. Computer Set Up

When the hardware setup for iR2774-S3 is complete, you are now ready to turn the machine on. After the hardware installation is complete, the iR2774-S3 will be treated as one single hard drive. Set the hard drive to AUTO in the computer's BIOS. When the computer is turned on, the system will retrieve the following information:

1. In iR2774-S3, the installed hard drive can be detected by the Device Manager of Computer Management for Windows.
2. Customers can choose to format the hard drive by using the Disk Management tool of the operating system before using the iR2774-S3.



At this point, the installation process is completely finished. The user can freely retrieve and save data to iR2774-S3 just like retrieving and saving data to a regular hard drive. If the user experiences any abnormality during the operation, please contact [supporting@raidon.com.tw](mailto:supporting@raidon.com.tw).

## 關於這份手冊

感謝您使用 RAIDON 的產品。本手冊將介紹 InTANK iR2774-S3 產品。在您開始使用 iR2774-S3 產品前，建議您先閱讀過本手冊。手冊裡的資訊在出版前雖已被詳細確認，實際產品規格仍將以出貨時為準；任何產品規格或相關資訊更新請您直接到 [www.raidon.com.tw](http://www.raidon.com.tw) 網站查詢，本公司將不另行通知。若您想獲得 RAIDON 最新產品訊息、使用手冊、軟體或對 RAIDON 產品有任何疑問，請您聯絡當地供應商或到 [www.raidon.com.tw](http://www.raidon.com.tw) 取得相關訊息。

本手冊相關產品內容歸 銳銓科技股份有限公司 版權所有

## 1. 環境需求

工作溫度：0 ~ 40 °C (32 ~ 104 °F)

儲存溫度：-20 ~ 47 °C (-4 ~ 116 °F)

工作電壓：5V DC

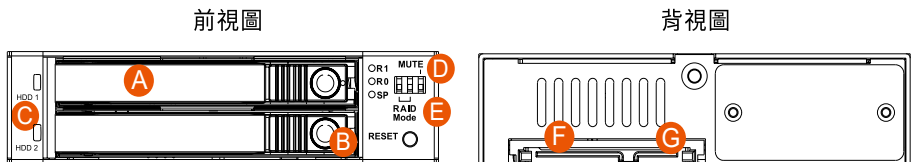
## 2. 產品外觀及包裝內容

打開包裝外盒後，包裝內容應包含下列組件：

iR2774-S3
iR2774-S3 產品本體 X1( 內含抽取盒 x2)
快速安裝導引 x 1
螺絲及鑰匙

- 請確認相關配件與產品本身是否有受損或配件缺少，若有任何疑問請與本產品供應商聯絡。
- 請前往官網 ([www.raidon.com.tw](http://www.raidon.com.tw)) 下載驅動程式以及其餘相關資源。

### 正面與背面示意圖



**A** 硬碟抽取盒把手

**B** 硬碟卡榫按鍵

**C** 硬碟讀寫燈

**D** 靜音切換

**E** RAID 模式切換

**F** SATA 15Pin 電源輸入埠

**G** SATA 連結埠



燈號一覽表：

狀態	硬碟狀態燈		Buzzer
	RAID 0/JBOD/SPAN	RAID 1	
無硬碟/硬碟損壞	紅燈恆亮	紅燈恆亮	ON
硬碟閒置	藍燈恆亮	藍燈恆亮	OFF
資料存取	藍燈閃爍	藍燈閃爍	OFF
資料重建 - 來源碟	N/A	藍燈閃爍	OFF
資料重建 - 目標碟	N/A	藍紫燈閃爍	OFF

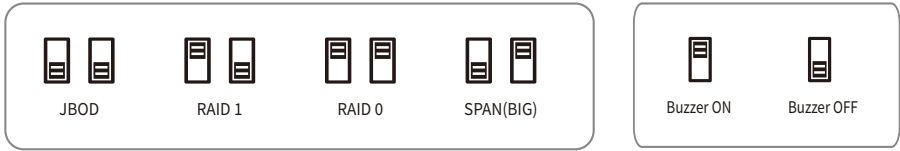
### 3. 硬體需求與注意事項

1. 電腦或伺服器具備 SATA I、SATA II 或 SATA III 介面。
2. 具備 SATA I、SATA II 或 SATA III 介面的硬碟。
3. 強烈建議使用 iR2774-S3 前先設定好 RAID 模式 (預設值是 JBOD)。
4. 本系統允許使用不同廠牌的硬碟。但如果要獲得更好的效能，我們強烈建議使用相同廠牌型號的硬碟。
5. 安裝硬碟前請先確認所使用的硬碟並無壞軌或是其他問題，以免導致系統損毀或資料遺失。
6. 硬碟格式化後，iR2774-S3 的總使用儲存容量或許會與硬碟容量加總後的有所不同。
7. 強烈建議除了使用 iR2774-S3 的資料儲存功能外，請針對重要資料備份到另一個儲存裝置上或遠端備份，雙重備援您重要的資料。若您儲存在 iR2774-S3 的資料損毀或遺失，RAIDON 將不負任何的責任。
8. 為了保持最佳的數據安全性，不建議將疊瓦式磁性記錄 (SMR) 技術的硬碟用於磁碟陣列 (RAID) 配置。
9. 對於初始設置，建議使用兩個同廠牌同型號全新硬碟。如果硬碟不是全新的且在 iR2774-S3 啟動過程中未被偵測到，請先將此硬碟單獨接上電腦透過作業系統清除其磁區並重新格式化 (具體步驟請查閱作業系統的說明) 在裝入 iR2774-S3 即可使用。

注意：

一旦使用模式確認後，使用相同的硬碟進行模式切換將會導致資料遺失。如果需要進行模式變更，請於變更前進行資料備份。

## 4. 設定 RAID 層級



**RAID 0**：一個大的獨立資料儲存容量，並可加速資料存取但無資料保護功能。

**RAID 1**：兩顆硬碟是鏡射關係因此擁有相同的資料，因此有一顆硬碟損毀仍然可以正常運作。當放入新硬碟取代損毀硬碟後，系統會自自動將資料重建到新的硬碟。

**BIG**：兩顆硬碟的容量會被加總成一個大儲存容量，但無資料保護功能。

**JBOD**：可對兩顆獨立硬碟進行管理的工作，能大幅增加硬碟管理上的便利性，但無資料保護功能。

**注意**：要切換 RAID MODE 時，需先切換至 JBOD 才能進行 RAID MODE 切換。

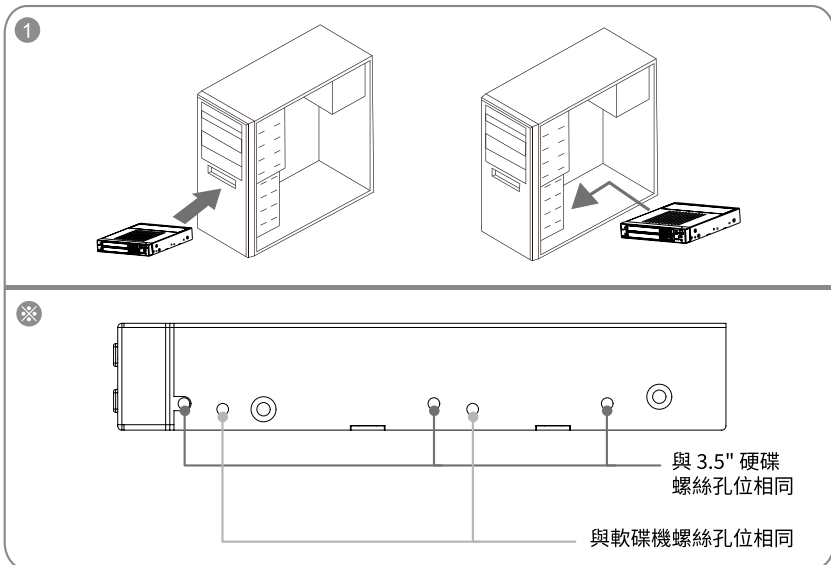
切換 RAID MODE: 電源需關閉，再用頂針壓住 RESET 按鍵，再開啟電源，待壓住約五秒時會聽到 Buzzer 會有 Bi 一聲且 HDD LED 閃爍即為設定完成，即可放開頂針。

## 5. 硬體安裝

請參照下列步驟，完成 iR2774-S3 的硬體安裝：

步驟 1 將主體裝置在機殼上，連接相關連接線，並確認固定螺絲是否鎖上。

步驟 2 使用配件內附的鑰匙解鎖硬碟抽取盒鎖後，將頂出按鍵向右推移，硬碟抽取盒把手會彈開，即可取出抽取盒。



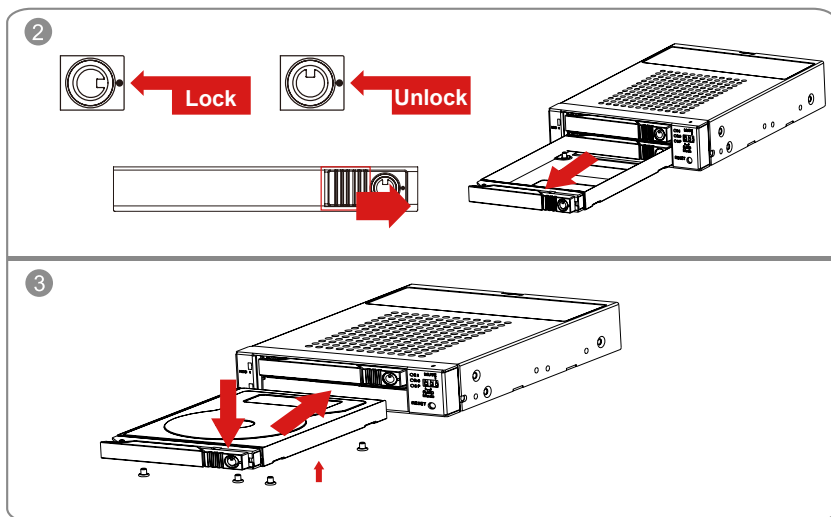
步驟 3 在抽取盒上安裝 2.5 吋硬碟，請使用 4 顆零件包內附的小顆螺絲加以固定；再將抽取盒裝回 iR2774-S3。

步驟 4 硬體安裝完成。您可開啟電源進行相關設定與應用。

步驟 5 你的作業系統將會自行辨識硬體，辨識成功後請先完成硬碟格式化，完成後即可使用。

**Note :**

1. 我們不建議使用者在未經授權的情況下自行拆卸系統。如未經授權自行拆卸所導致的損毀將不在保固之列。
2. 為了防止系統發生問題，請確保系統的電源供應是穩定且獨立的。

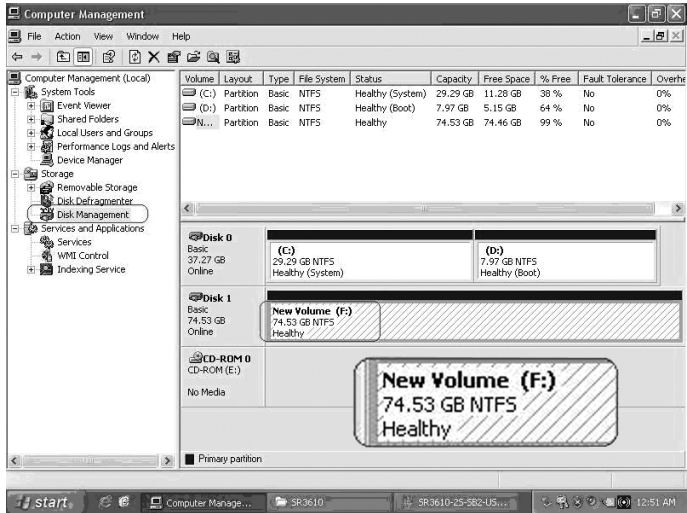


## 6. 電腦設定

當 iR2774-S3 的硬體安裝完成，即可準備進行開機動作。

硬體安裝完成後，將 BIOS 的硬碟偵測設定為自動，iR2774-S3 將會被視為如同一顆硬碟一般。當電腦開機後，系統會顯示下列偵測訊息：

1. 安裝在 iR2774-S3 中的硬碟能夠被 Windows 的裝置管理員偵測到。
2. 使用 iR2774-S3 前，使用者可以透過磁碟管理選擇硬碟的格式。



到此完成整個安裝程序。使用者可以如同存取一般硬碟般的使用 iR2774-S3。如果使用上仍有問題，請聯繫 [supporting@raidon.com.tw](mailto:supporting@raidon.com.tw)。

**RAIDON**  
Your Data Security Guardian  
[www.raidon.com.tw](http://www.raidon.com.tw)